



HAIDA
海大股份

SHANGHAITEX
上海国际纺织工业展

2019

HDMA19 特刊

HAIDA 海大 COMPANY PROFILE

江苏海大自 1980 年创立起，一直致力于纺织定形机的研发及生产。海大从初期的生产专件到整机，从贴牌到独立研发，产品从多品种到专业化见证了定形机的发展史。

海大拥有富有创新的科研团队及经验丰富的精于实战的生产团队。近年来公司集中精力，研发生产新型节能环保的定形机，在行业中已具有较高的知名度。

在国内，海大是江苏省高新技术企业；是中国纺机行业印染机械分会会长单位；是中国纺织工程学会的“全国染整定形机、预缩机装备技术研发中心”，设有“国家级博士后科研工作站企业分站”。

在国外，全球已有 14 个国家在使用海大的定形机。海大已授权国内外专利 148 项，发明专利 20 项，PCT 专利 4 项。

专业的设计，精准的工艺，系统性解决方案提供者——海大。

Since its founding in 1980, Jiangsu HAIDA has been committed to the development and production of textile setting machines.

HAIDA from the initial production of profession parts to assembly of whole machine and from OEM to independent research and development to get own brand while the type of products trend to specialization.HAIDA's development milestone is also industry's growing history.

HAIDA has an innovative research team and professional skilled production team.

In recent years, HAIDA concentrates on the research and production of environmental protection and energy saving heat setting machine.

The new generation of ASMA503 Series achieved excellent performance in same industry.

In China,HAIDA is a high-tech enterprise in Jiangsu Province;is the head unit of China Textile Machinery Industry Printing and Dyeing Machinery association.

On the Haida premis the R&D centre of China Textile Engineering association for project of dyeing, finishing and pre-shrinking technology is located.

Haida textile machine are working in 14countries in the world.

Haida received 148 patents both in domestic and oversea; and 20 patents for invention and 4 PCT patents.

Professional design, precise technology, systematic solution provider — HAIDA

江苏海大纺织机械股份有限公司 Jiangsu HaiDa Textile Machinery Co.,Ltd.

地址：江苏省无锡市新区梅村南丰工业配套园 B 区 A12、13 地块（梅村南丰一路 8 号）

ADD: 8 Nanfeng First Road, Xinwu District, Wuxi, Jiangsu, China

邮编：214112

Postal code: 214112

电话：(0510)8855 9911

Tel: +86 510 8855 9911

传真：(0510)8501 1198

Fax: +86 510 8501 1198

邮箱：office@haidastenter.com

网址：http://www.haidastenter.com



官方网站



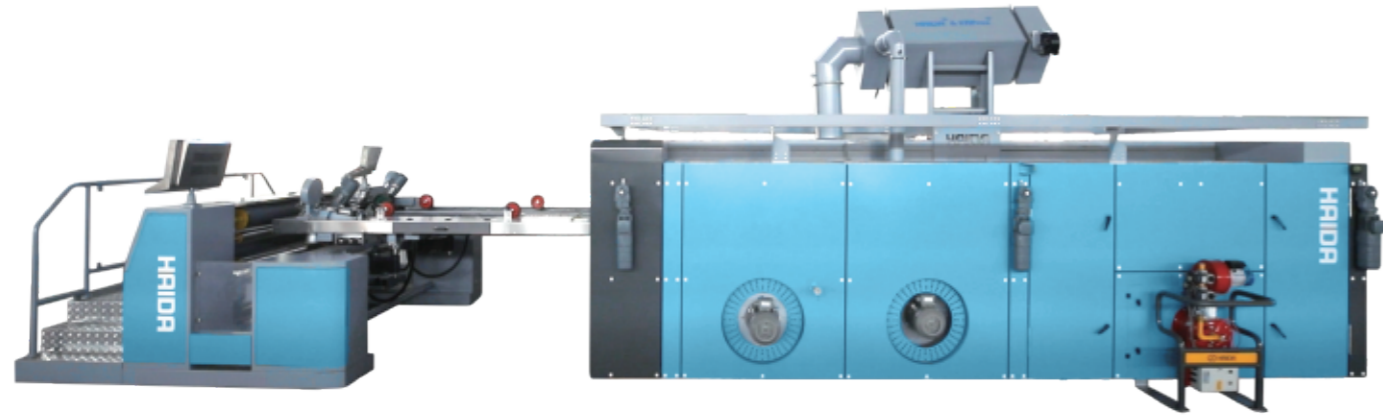
公众号



磨毛类织物专用定形机——HDMA19系列

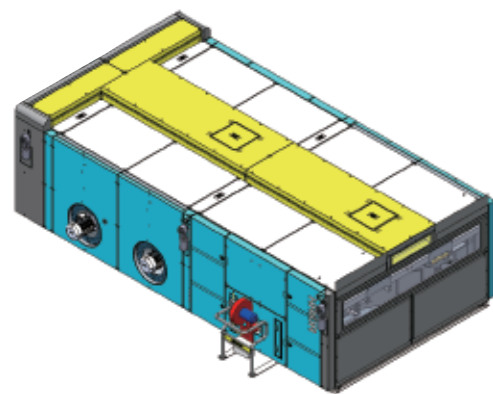
STENTER—HDMA19SERIE

海大专业生产定形机38年， 量身定制用户所需定形机，专业，专注，专心。



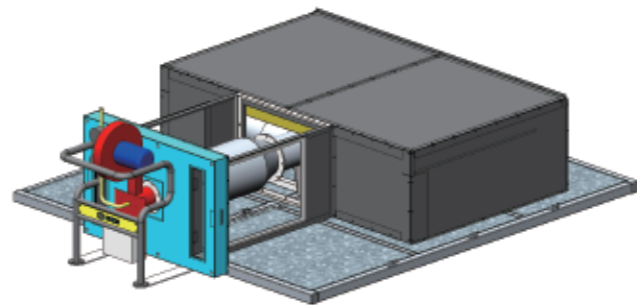
- 基于工业设计理念设计的色彩符合国际工业流行趋势，符合人体工学理论，人机交互操作更合理。
- 更适合各类磨毛织物、绒类织物，更方便烘房内部彻底清洁。
- 国际首创：两边链条可远程监控运行及负载情况，同时进行欠压、超压停车保护。
- 热源布局可适应多种能源同时组合使用的供热环境，例如蒸汽+燃气，蒸汽+电等。
- 海大股份 HDMA19 型系列定形机产品综合节能效果较市场同类产品节能 10-15%。
- 海大远程运维系统软件支持与客户企业ERP、生产管理系统 MES、设备管理系统 OEE 进行数据互联；支持金融系统融资租赁平台对设备进行监管。

- The machine's exterior design and operating console are designed for human ergonomics and is available in industrial trend colors.
- It is mostly suitable for brushed and pile fabric.
- The maintenance condition of fabric transport chain checked by remote control.
- Combined heating modes can be used together in one stenter (for example: steam heating+gas heating, steam heating+electric heating).
- Haida HDMA19 series stenter has 10%-15% energy saving than Similar Products in the market.
- Haida Remote operation checks operating data of the equipment at any time with computer or mobile phone. Manage energy consumption and improve energy efficiency, statistics of energy consumption in a given period and trace quality problems, upgrade technical level and output efficiency.



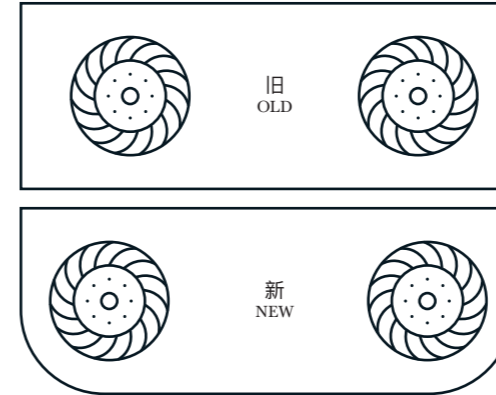
排风通道设置在烘房中间，更适应化纤类织物需要大量油烟气及进排放的要求，烘房内的气流更易于左右均匀排放。

Integrated exhaust duct located at the middle of the roof, which is suitable for polyester fabric process due to its large exhaust quantity.



国内首创：立式燃烧器的直接燃烧、间接加热系统，更适合颜色、纤维对温度敏感度高的织物和工艺。

The direct combustion and indirect heating system of the first vertical burner in China is more suitable for fabrics and processes with high color and fiber temperature sensitivity.



流体风机导流装置，循环风无死角。
Blower diversion feature to ensure no dead angle in the circulation.



立式抽拉滤网，可实现不停车在线清洁。
Vertical circulation air filter can be easily pulled out for cleaning during machine stop.



直连式调幅机构，减少热传递，检修方便。
Heat leakage reduction due to Integrated width adjustment system, easy maintenance.



隐藏式螺栓减少热辐射，更节能。
The hidden bolt can reduce the heat radiation and save more energy.



海大智能控制软件能与德国 PLEVA 公司、德国 E+L 公司、德国 MAHLO 公司等在线监控产品无缝连接。如烘房排气湿度、布面温度控制、出面布面湿度检测、纬密检测。

During the stenter process the online detection permanently controls selected operation data and corrects the adjustment if set-limits are exceeded. (Haida control system could be connected with the detection unit from PLEVA, E&L and MAHLO)



德国发明专利技术（专利号 102 010 000 509）HAIDA-KAPrec 余热回收装置，气气换热，节能率最高能达到 10%。

HAIDA-KAPrec air to air heat recovery (German patent number: 102 010 000 509). Special version: KAPrec Thermoshield, to compensate the cold air impact in the inlet and outlet of the stenter and save up to 10% energy.